

GHH-M Large Recessed Handle With Handlebar

Features

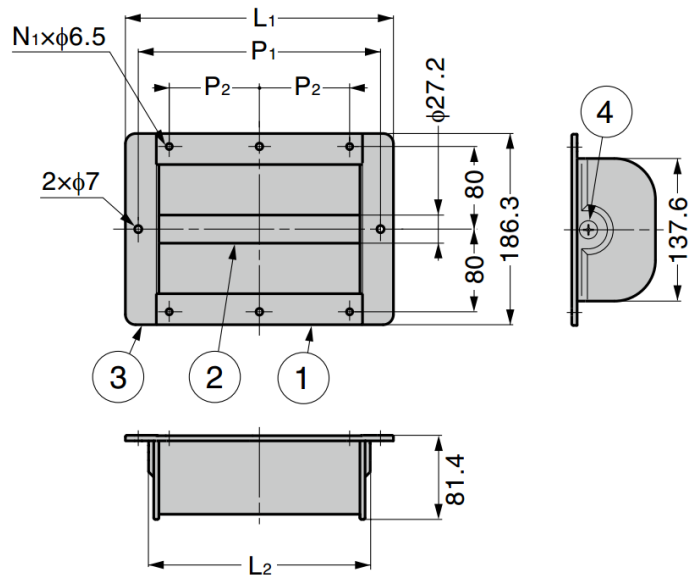
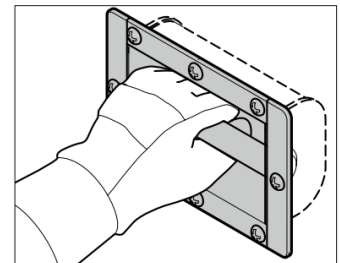
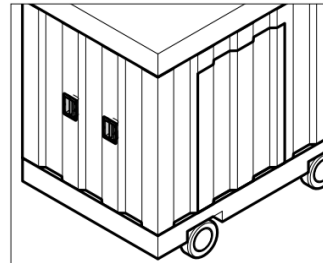
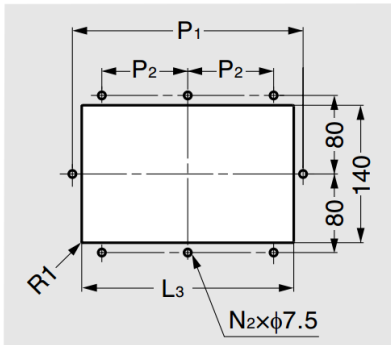
- Large type allows for easy handling with glove on
- Handlebar does not protrude from the face of the handle
- All stainless steel pull with handlebar lengths 200 mm and 400 mm
- Suitable for applications including special vehicles, containers, large equipment doors, etc.

Notes

- Load capacity represents the strength of the pull itself. Actual load capacity may vary depending on wall and cabinet materials. Please install the pull at places with sufficient strength or places reinforced

Parts Included

- Truss head screw M6x16 (SUS)
- Nut M6 (SUS)



No.	Part Name	Material	Finish
①	Cup	Stainless Steel (SUS304)	Polished
②	Bar		
③	Cover	Stainless Steel (SCS13)	
④	Countersunk Head Screw M8 x 15	Stainless Steel	-

※SCS13 is equivalent of SUS304.

Part No.	L ₁	L ₂	L ₃	P ₁	P ₂	N ₁	Holes N ₂	Load Capacity	
GHH-M200	260	215	218	235	87.5	6	8	4,500 N	459 kg
GHH-M400	460	415	418	435	125	8	10	2,200 N	224 kg